

## INVENT-TECH ENTERPRISE LTD.

Rx

## B.O.M

MODE:RX-2

记录编号: ITIV4-08

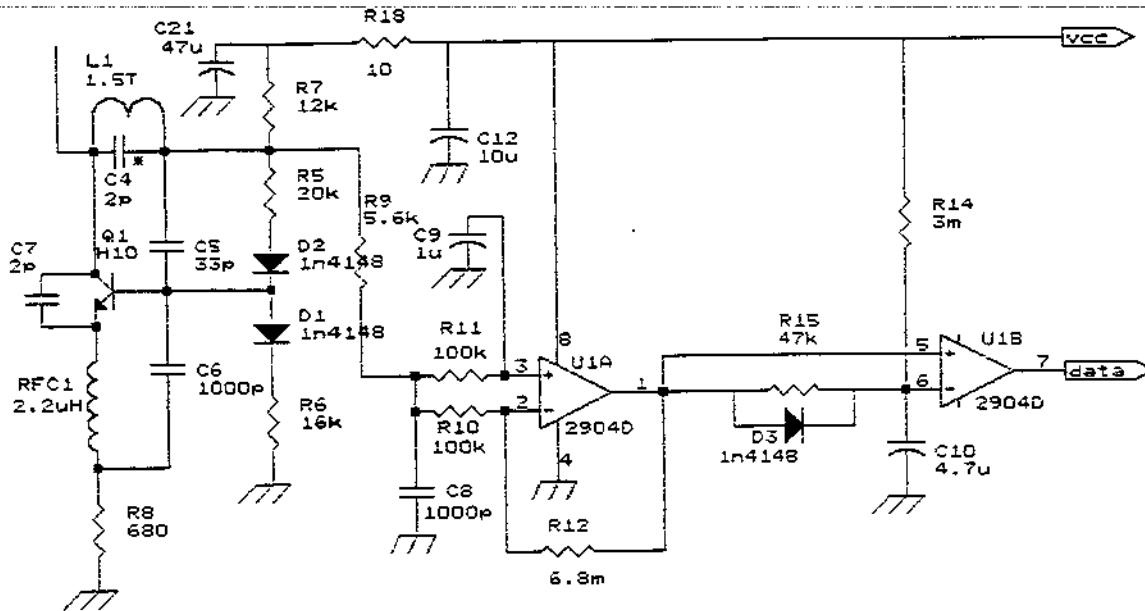
版本: V01

页次: P01/01

Item	Parts	Qty	Reference	Vendor	Vnit cost	Sub-tte-cost
1	CEI-1	1	PCBA			
2	0805 SMD CAP 1P	1	C15			
3	0805 SMD CAP 1.5P	1	C4			
4	0805 SMD CAP 2P	1	C7			
5	0805 SMD CAP 33P	1	C5			
6	0805 SMD CAP 1000P	1	C8			
7	0805 SMD RESISTORS 20K OHM	1	R5			
8	0805 SMD RESISTORS 16KOHM	1	R6			
9	0805 SMD RESISTORS 12KOHM	1	R7			
10	0805 SMD RESISTORS 680 Ω OHM	1	R8			
11	0805 SMD RESISTORS 5K6 OHM	1	R9			
12	0805 SMD RESISTORS 100K OHM	2	R10-R11			
13	0805 SMD RESISTORS 6M8 OHM	1	R12			
14	0805 SMD RESISTORS 3M OHM	1	R14			
15	0805 SMD RESISTORS 47K OHM	1	R15			
16	0805 SMD RESISTORS 10 Ω OHM	1	R18			
17	IC 2904D	1	U1			
18	COILS 2.2UH LA103MA2R2K	1	RFC1			
19	DIODE IN4148	3	D1-D3			
20	C CAP 1000P	1	C6			
21	E CAP 1UF/50V SIZE:4X7MM	1	C9			
22	E CAP 4.7UF/16V SIZE:4X7MM	1	C10			
23	E CAP 47UF/16V SIZE:5X7MM	1	C21			
24	E CAP 10UF/16V SIZE:4X7MM	1	C12			
25	VK09-855287 COIL	1	L1			
26	TRANSISTORS10	1	Q1			

作成入: 邹新兰

作成日期: 2002年7月14日



INVENT-TECH ENTERPRISE LTD.

Size Document Number

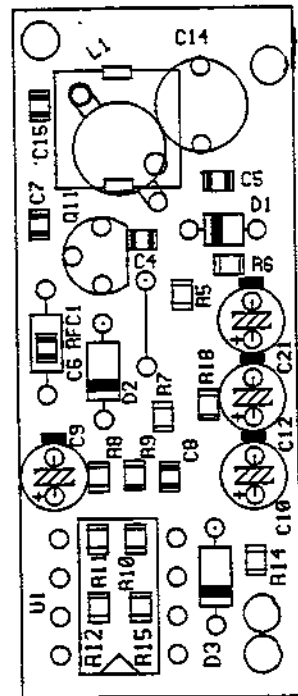
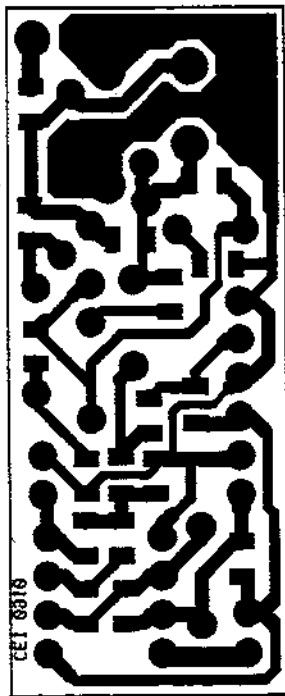
REV

A

RXMOD

Date: September 23, 1997 Sheet

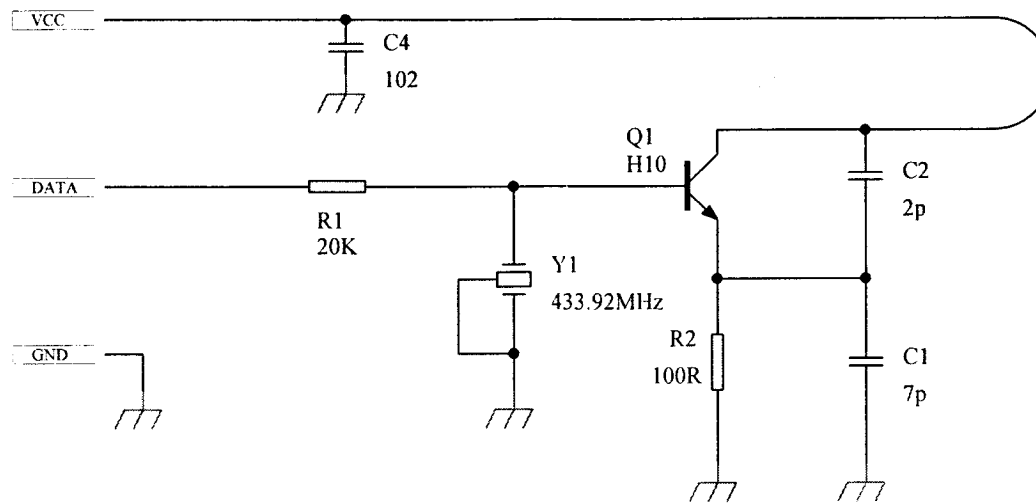
of

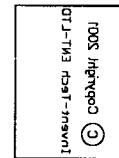
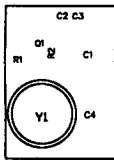
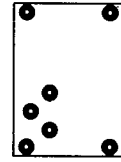
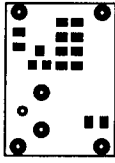


TITLE: R x MOD  
 INVENT-TECH ENTERPRISE LTD.  
 DATE: 97-09-10 SCALE 2:1  
 CAD FILE: \NCE\NCEIMS-3.PCB

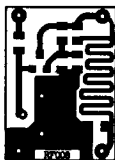
TITLE: R x MOD  
 INVENT-TECH ENTERPRISE LTD.  
 DATE: 97-09-10 SCALE 2:1  
 CAD FILE: \NCE\NCEIMS-3.PCB







INVENT-TECH  
RF008  
PCB=0.8mm



06 APR 2004